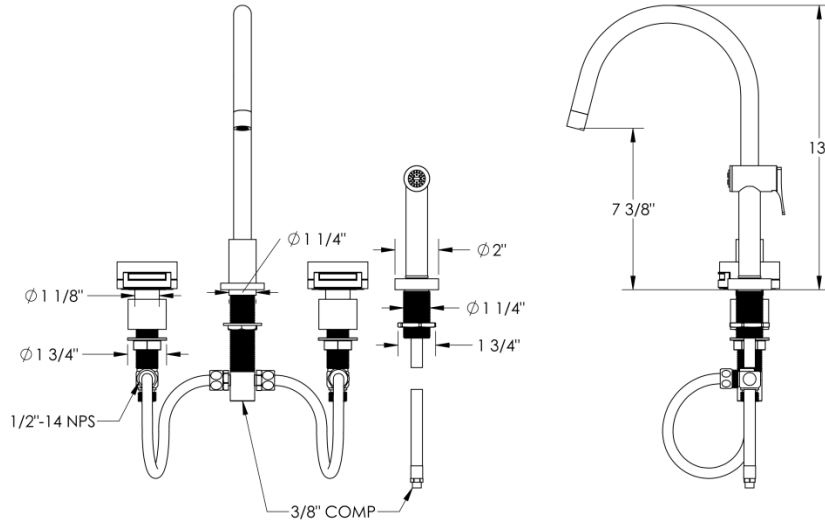


### FEATURES

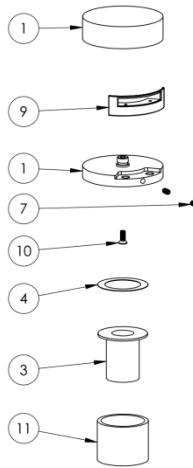
- ¼ turn washerless ceramic disc valve cartridges
- Flexible hose connection for 8" to 16" spread installations
- Flow rate 1.75 gpm (6.62 lpm) maximum flow rate
- Solid brass construction
- Listed by CSA, NSF, and other municipalities
- Warranty:
  - Limited lifetime warranty (residential use)
  - One year (commercial use)
- Shipping weight (lbs.) 10
- Shipping dimensions (in.): 29x12x4



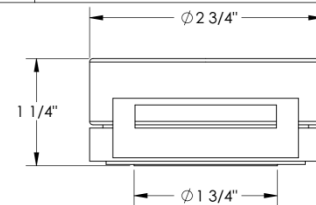
ITEM NO.	PART NUMBER	QTY.
1	27-7-SPT	1
2	NEOPERL AERTR GSKT TT	1
3	Neoperl PCA Perlator TT - 1.5 GPM 44.3056.000	1
4	27-2-AERTR-SHLL	1
5	502 FLEX HOSE LEFT	1
6	952-SMLL-GSKT	1
7	952-CNTR-BODY	1
8	952-CNTR-BODY-LOCK-NUT	1
9	502-PLSTC-LOCK-NUT	2
10	MSA6	1
12	H-BS24	1
13	24 H BASE LOCK NUT	1
14	CRT502	2
15	SS-502-VALVE-BODY	2
16	502 FLEX HOSE RIGHT	1

### HANDLE TRIMS

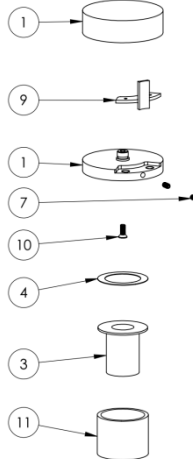
#### Elements Bridge (Code: E1♦)



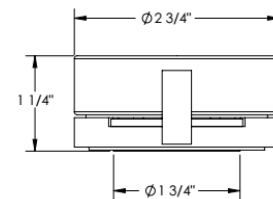
ITEM NO.	PART NUMBER	QTY.
1	ELMNT-HNDL-BASE	1
2	ELEMNT-HNDL-COVER	1
3	ZEN-MGNT-TOP-LOCK-NUT	1
4	PLSTC-WSHR	1
7	#8-32 SOCKET; CUP POINT; 5/16" LENGTH	2
9	ELMNT-INSERT (SCALLOP OR BRIDGE)	1
10	#8-32 FLAT HEAD ; 7/16" LENGTH	1



#### Elements Scallop (Code: E2♦)



ITEM NO.	PART NUMBER	QTY.
1	ELMNT-HNDL-BASE	1
2	ELEMNT-HNDL-COVER	1
3	ZEN-MGNT-TOP-LOCK-NUT	1
4	PLSTC-WSHR	1
7	#8-32 SOCKET; CUP POINT; 5/16" LENGTH	2
9	ELMNT-INSERT (SCALLOP OR BRIDGE)	1
10	#8-32 FLAT HEAD ; 7/16" LENGTH	1



Note: ♦ denotes the cover finish

#### **IMPORTANT INSTALLATION INFORMATION**

- USE TEFLON TAPE OR PIPE SEALANT FOR THREADED CONNECTIONS
- DO NOT USE PLUMBER'S PUTTY ON ANY OF THE BRASS COMPONENTS  
This will cause the finish to tarnish and void the warranty. A non-corrosive Alkoxy Silicone is recommended.
- DURING SWEATING OF LINES DO NOT OVERHEAT CASTING  
Overheating may cause damage to internal mechanism
- COPPER ADAPTORS MAY BE REQUIRED TO COMPLETE YOUR INSTALLATION

**For technical support, please call 718-257-2800**

Rev. 1/1